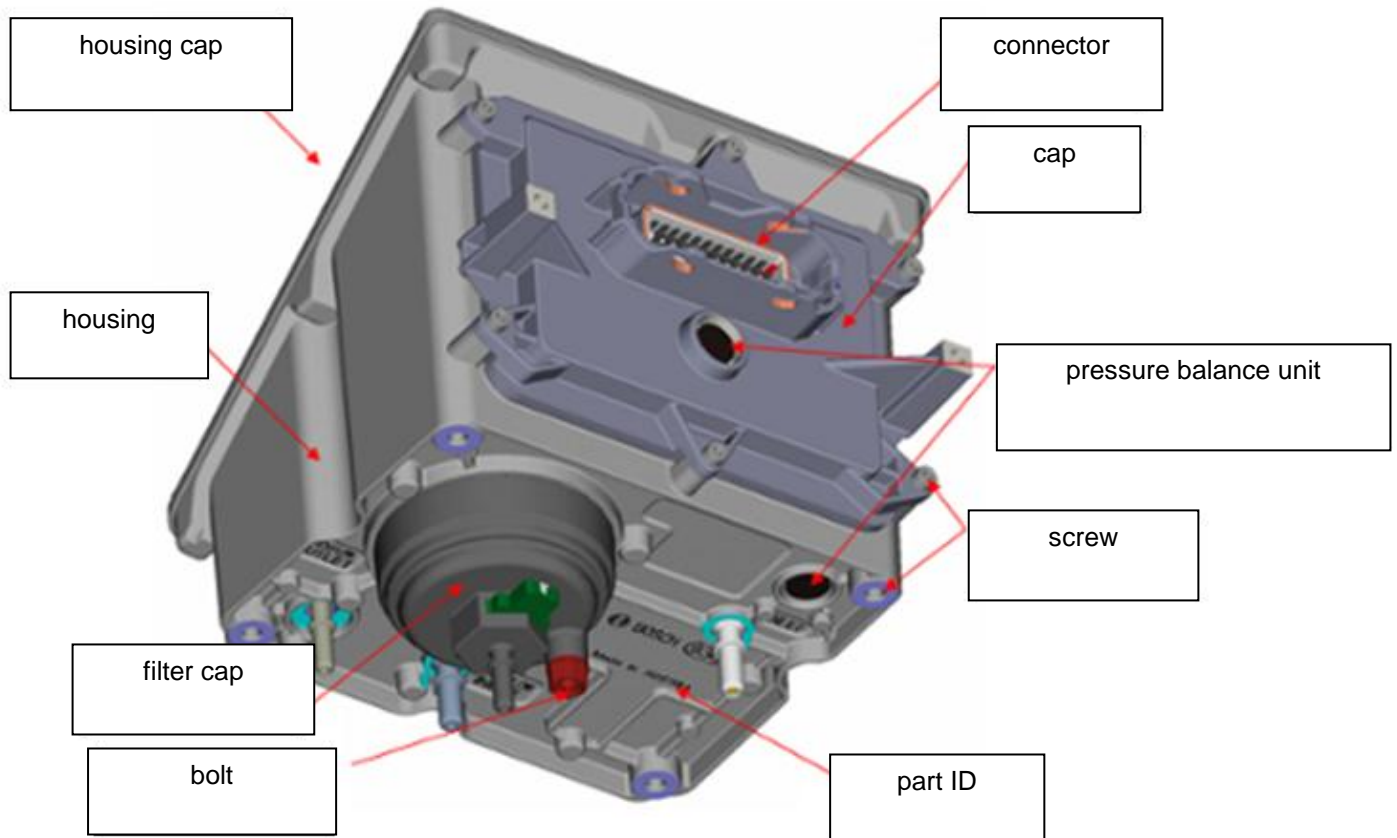


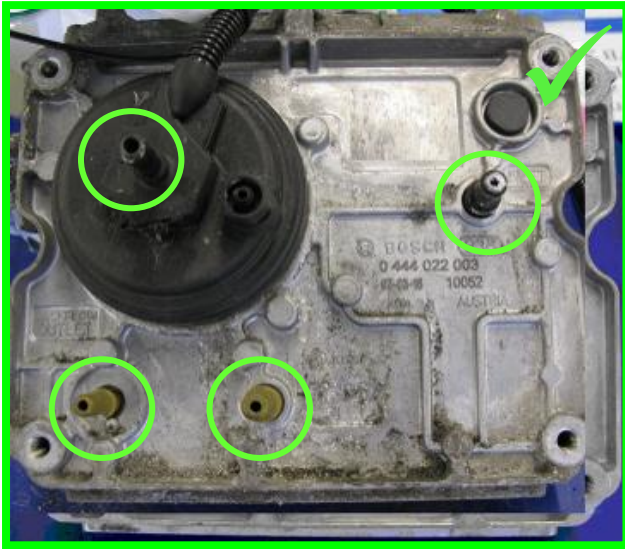
Denox 2



Criteria:

- dismantled / incomplete
- mechanical damage
- aggregate opened/ screws are loose/ screws are missing
- damage on electrical plugs
- corrosion
- not identifiable

Criterion: dismantled / incomplete



plugs complete or incomplete
→ acceptable

Criterion: mechanical damage



damage on thread → not acceptable



damage on housing cap → not acceptable

Criterion: mechanical damage



(DAE) opened /
damage on diaphragm
→ not acceptable

Criterion: aggregate opened/ screws are loose/ missing



aggregate was opened / screws are
loose / screws are missing
→ not acceptable

Criterion: damage on electrical plugs



pins deformed / corroded
→ not acceptable

Criterion: Corrosion



underbody protection in place
→ acceptable



Heavy corrosion → not acceptable